



in association with



# **NIGERIA EXTRACTIVE INDUSTRIES TRANSPARENCY INITIATIVE**

## **REPORT ON THE PROCESS AUDIT 1999-2004 REFINERIES AND PRODUCT IMPORTATION**

### **APPENDIX A: SCHEMATICS**

Presented to  
**The National Stakeholder Working Group**

by

**Hart Resources Ltd**

in association with

**SS Afemikhe Consulting Ltd**

and

**CMA Ltd**

**Final Submission**

November 2006

Information as at 30<sup>th</sup> June 2006

The report and all appendices relating to the report are intended for the use of the National Stakeholder Working Group of the NEITI for the purpose of that initiative and are not to be relied upon by other parties.

# CONTENTS

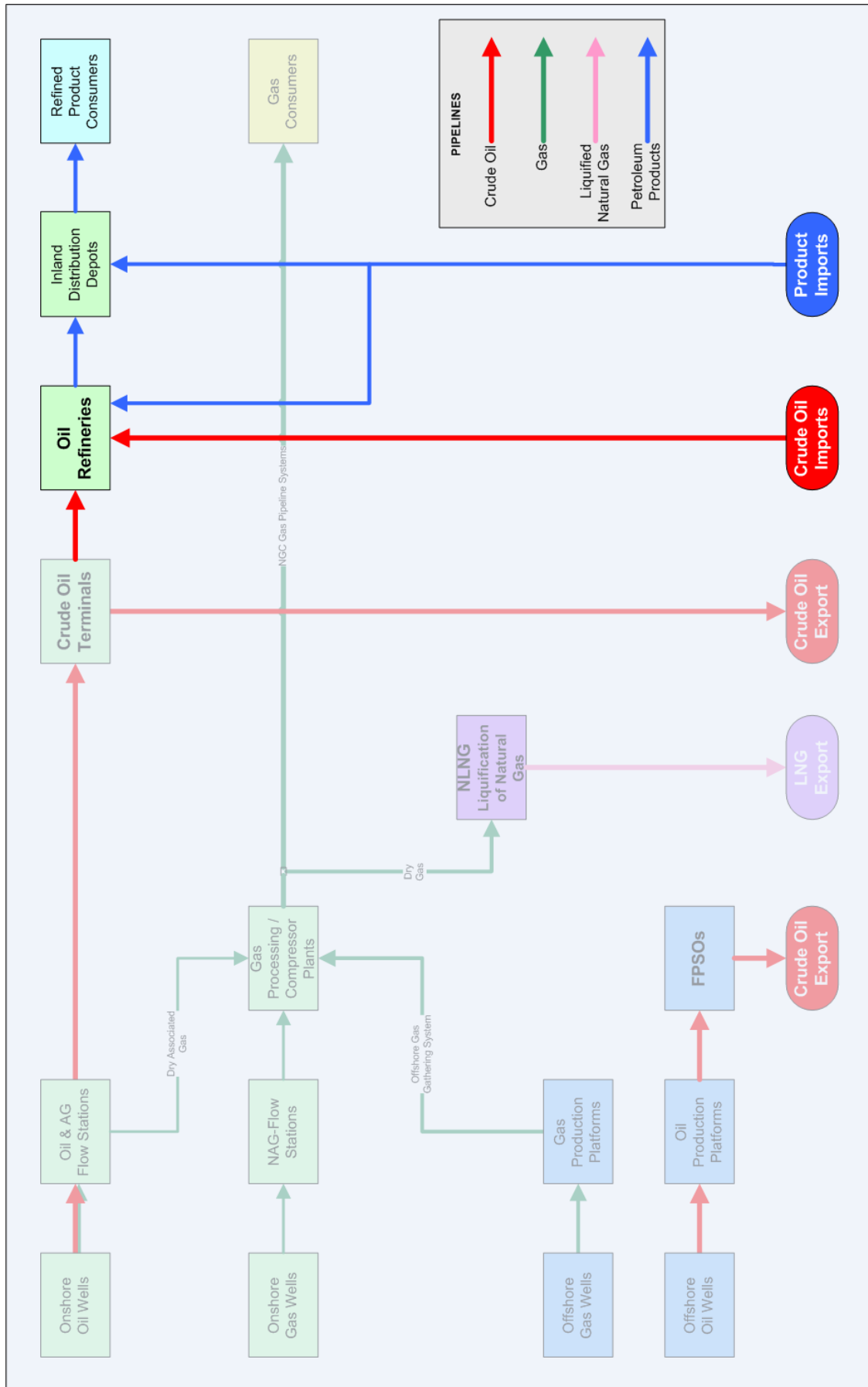
Appendix A

Overview of Downstream System  
Crude Supply to the Refineries  
Geographic Map Showing Refineries & Terminals  
PPMC Pipeline System & Distribution Network  
Geographic Map of PPMC Pipeline System  
and Distribution Network

NIGERIA EXTRACTIVE INDUSTRIES TRANSPARENCY INITIATIVE  
 PHYSICAL AND PROCESS AUDIT: REFINERIES AND PRODUCT IMPORTATION

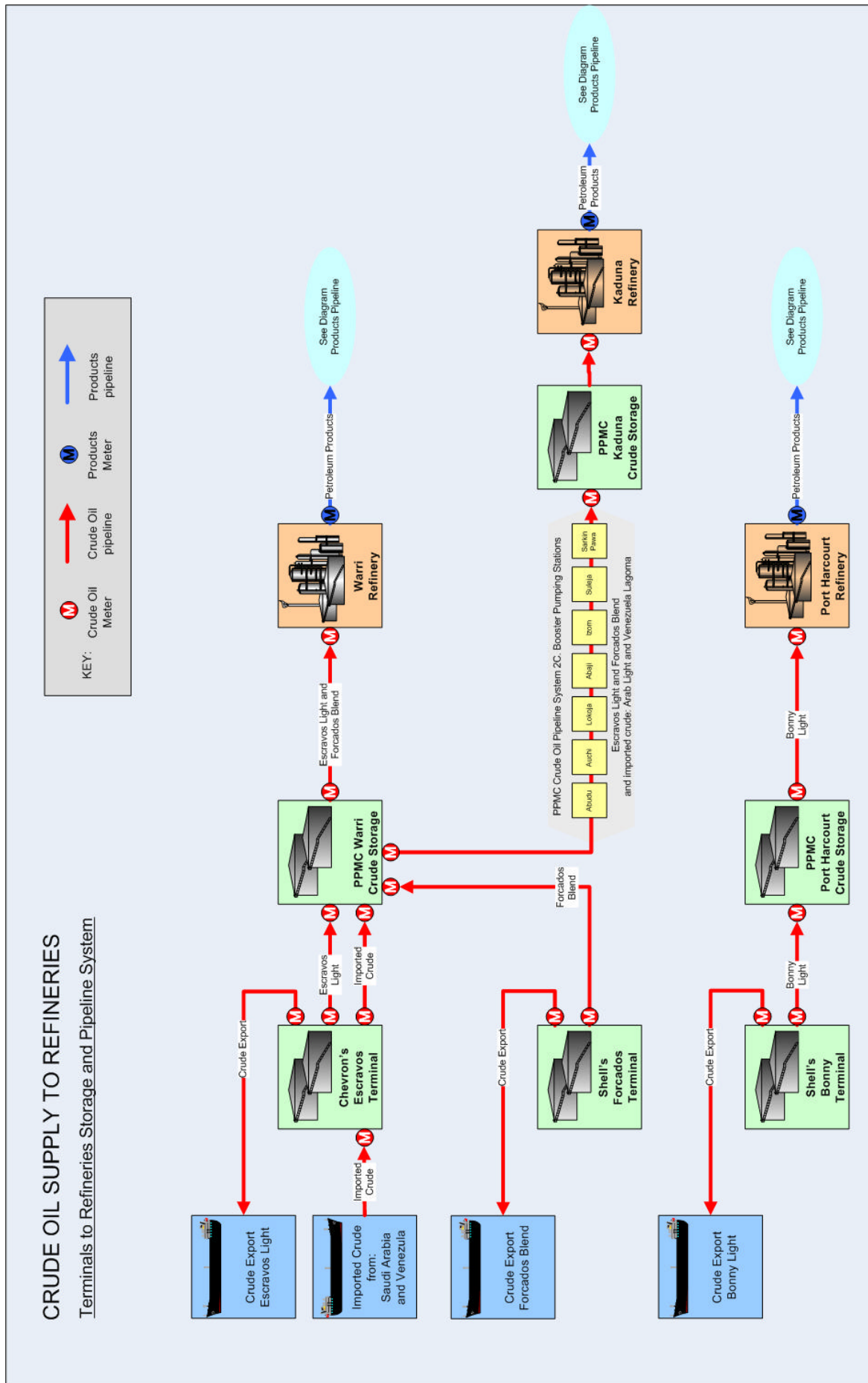
APPENDIX A.1

DOWNSTREAM SYSTEM



APPENDIX A.2

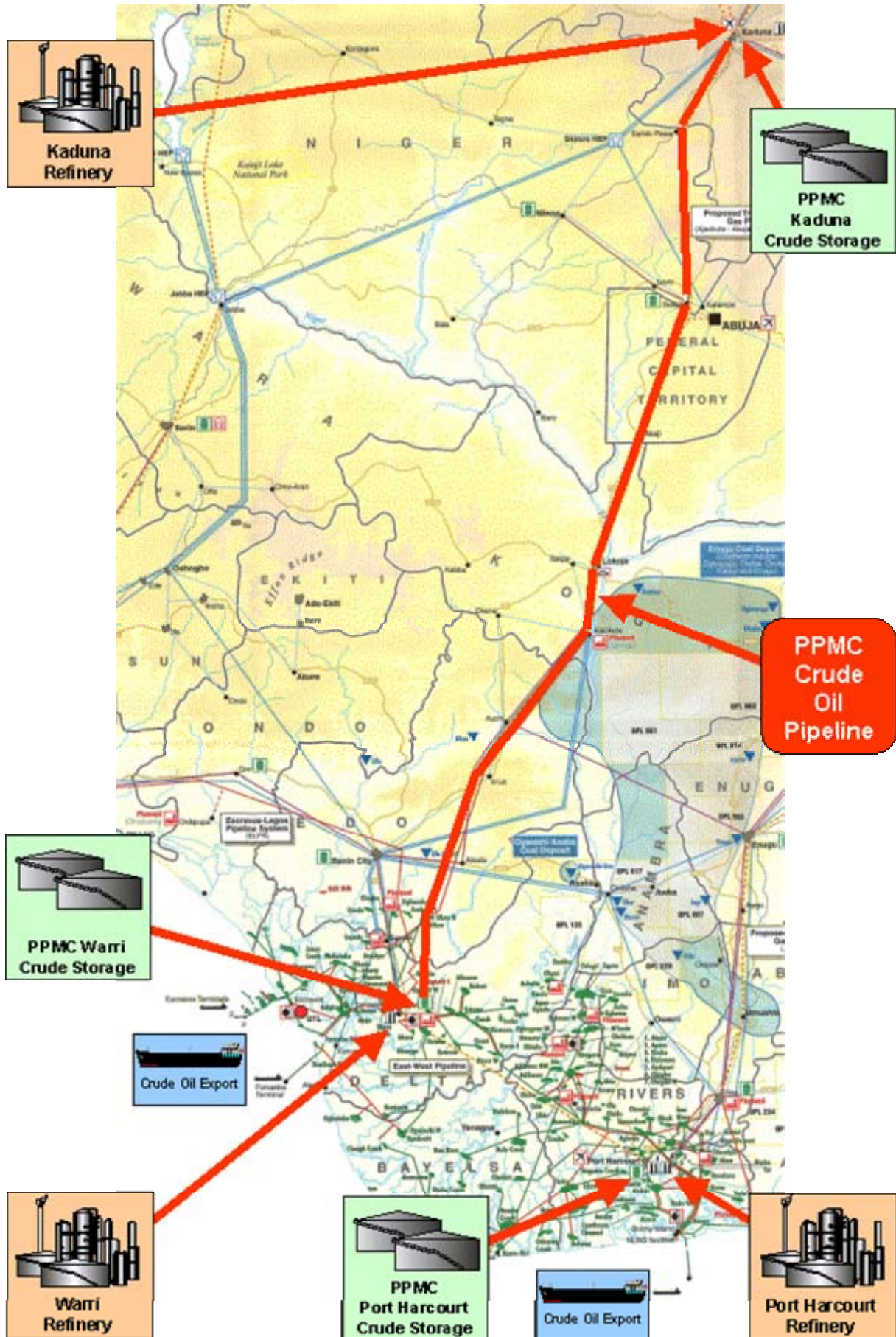
CRUDE OIL SUPPLY TO THE REFINERIES

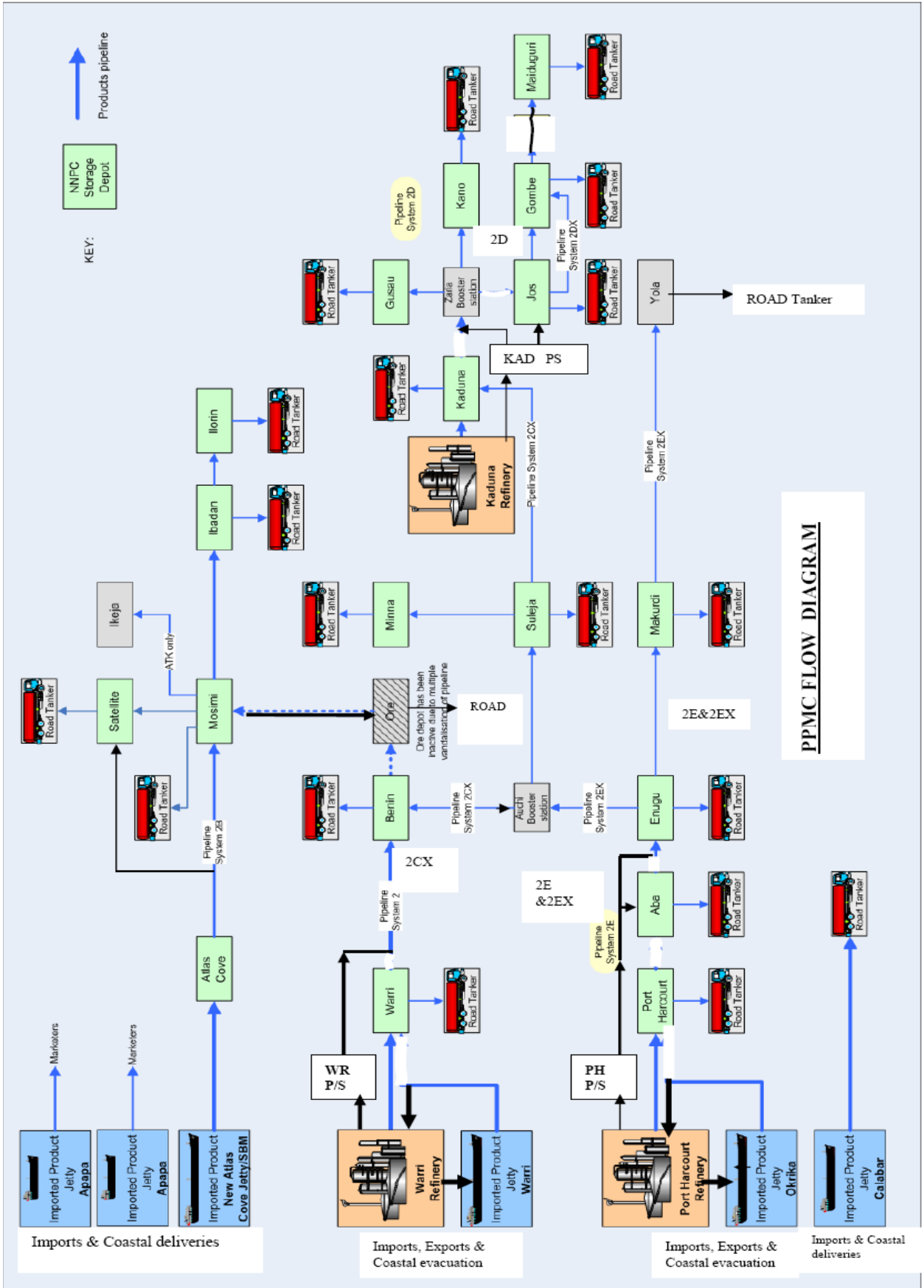


NIGERIA EXTRACTIVE INDUSTRIES TRANSPARENCY INITIATIVE  
PHYSICAL AND PROCESS AUDIT: REFINERIES AND PRODUCT IMPORTATION

APPENDIX A\_3

TERMINALS AND REFINERIES







NIGERIA EXTRACTIVE INDUSTRIES TRANSPARENCY INITIATIVE  
 PHYSICAL AND PROCESS AUDIT: REFINERIES AND PRODUCT IMPORTATION

APPENDIX A\_5

NNPC-PPMC CRUDE OIL & PRODUCTS PIPELINE NETWORK

